

The specially designed screw-in Silver/Silver Chloride Half Cell is for use in the Buckleys BathyCorrometers® and UCP1A and UCP1B underwater probes.



FEATURES

- Easy to fit - screw-in
- Inert body casing: PVC
- Suitable for use in BathyCorrometers, UCP1A and UCP1B probes
- Long service life

TECHNICAL SPECIFICATIONS

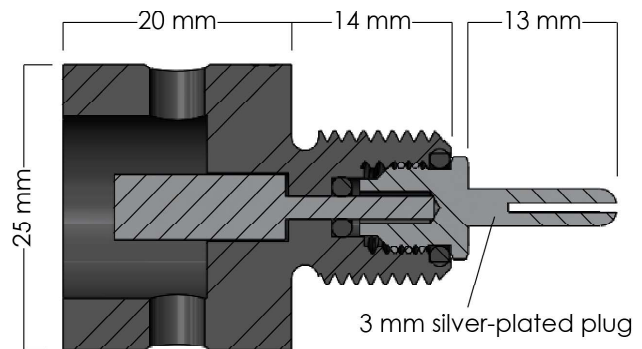
- Screw thread: 1/2" UNF
- 'O' Ring Size: BS 111
- Electrical connection: 3mm plug
- Output: $\approx +250\text{mV VS SHE}$
- Temperature coeff: $-0.6\text{mV per }^{\circ}\text{C}$
- Temperature range: 0 - 30 °C
- Working life: 1 to 2 years
- Depth of operation: 700m+
- Weight (cell): 5g
- Dimensions (cell): 46mm x 25mm
- Packed weight: 0.3Kg
- Dimensions (packed): 24cm x 16cm x 12cm

Note: Due to ongoing technical developments, all stated information is typical and is subject to change without notice or obligation.

The Half Cell can be easily replaced in these units as it has a screw-in fitting. The water-tight seal is made by the use of an 'O' ring. The electrical connection to either a BathyCorrometer® or a UCP probe is made by a silver plated 3mm plug.

The electrode is housed in an acetate body. Holes in the body allow the easy flow of water, thereby removing any debris that might contaminate the electrode.

Providing the storage instructions are followed, the Half Cell will give a service life of up to two years.



ANCILLARY PRODUCTS AVAILABLE



K-SAT Reference Cell
6004-0111



BathyCorrometer®
Pro' Complete Kit
6004-0077



BathyCorrometer®
Calibration Kit
6004-0031



UCP1A Contact
Probe
6004-0039



UCP1B Proximity
Probe
6004-0043



Glass K-Series
Reference Cell
6004-0013

AFTER SALES SERVICE / TECHNICAL SUPPORT

All Buckleys products are manufactured under the controls established by a quality management system that meets the requirements of BS EN ISO 9001:2015 and are supplied with a one year 'back-to-base' warranty. The equipment is proven to be robust and reliable and will give years of service if maintained in accordance with our instructions.

Annual re-calibration is recommended for subsea product range. Buckleys provide full repair and calibration facilities; offering a fast turn-around service for customers' equipment.

Advice on specific applications for all Buckleys products is available from our technical department. Contact us by telephoning, sending a fax or by e-mail using the contact details below.

Buckleys (UVRAL) Ltd.

Buckleys House, Unit G, Concept Court, Shearway Business Park, Shearway Road, Folkestone, Kent. CT19 4RG. UK

Tel: +44 (0)1303 278888 Email: sales@buckleys.co.uk Website: www.buckleysinternational.com